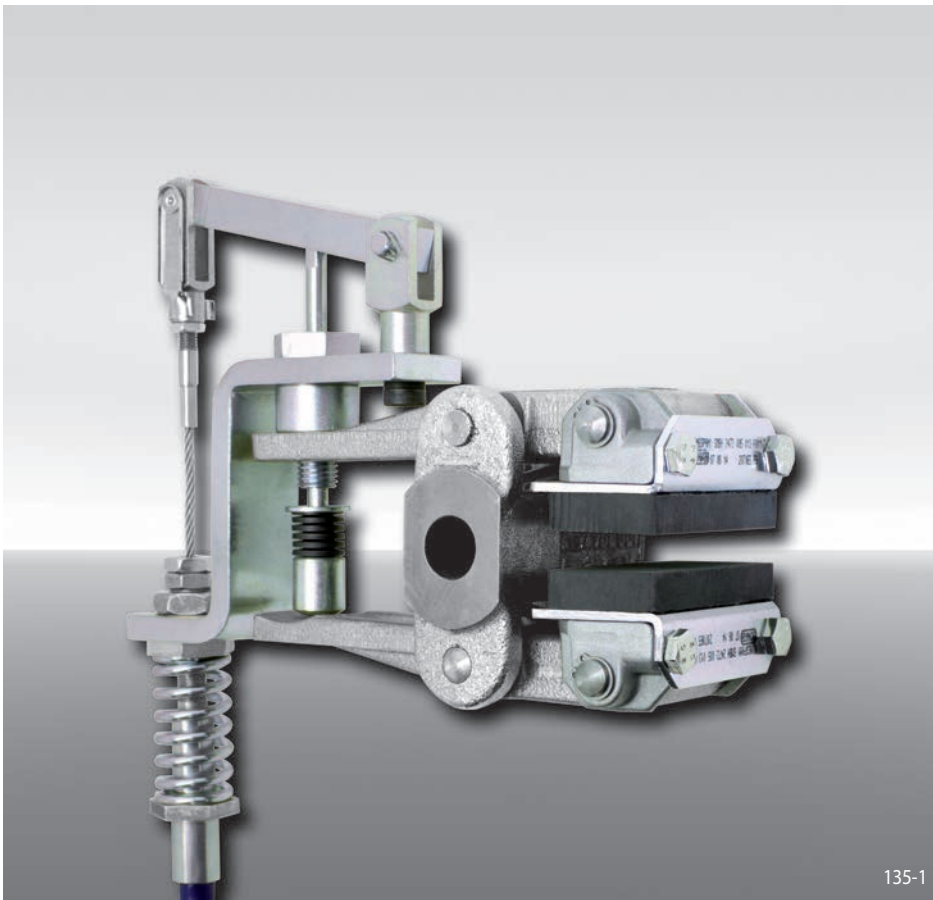


Brake Caliper DH 020 MKM

manually activated – manually released
by Pull Cable



135-1

Features

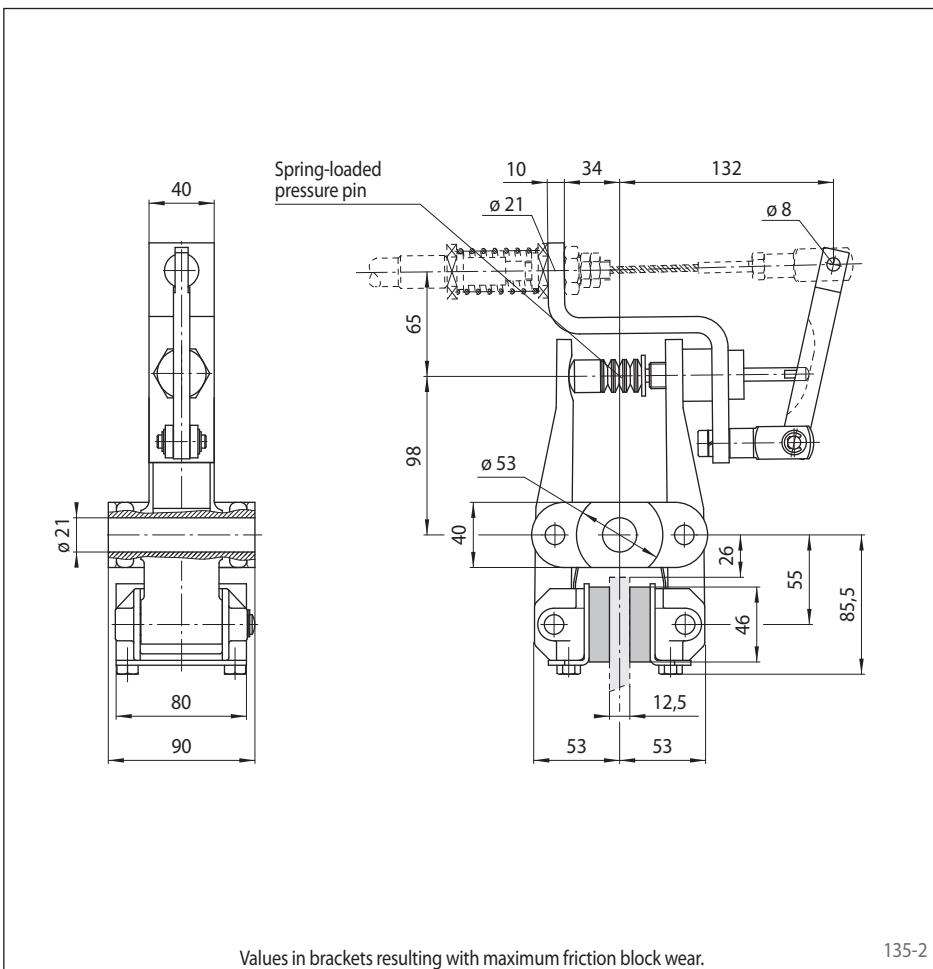
Features	Code
Brake Caliper	D
Mounting to the machine at right angles to the brake disc	H
Frame size 020	020
Manually activated	M
Manually released	K
Manual adjustment to accommodate friction block wear	M
Spring-loaded pressure pin 730	730
Position of the Pull Cable installation to the right or left can be defined by turning the brake during installation	U
Thickness of brake disc 12,5 mm	12

Example for ordering

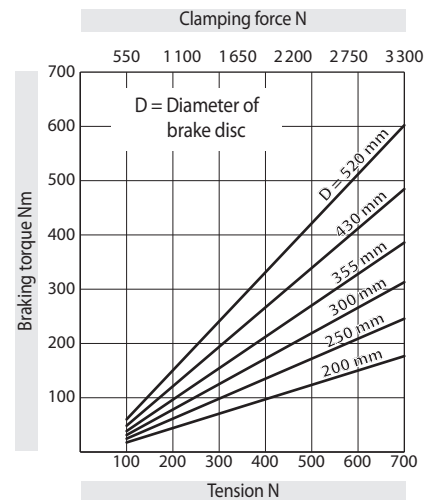
Brake Caliper DH 020 MKM, pressure pin 730, position of the Pull Cable installation can be to the right or left, thickness of brake disc 12,5 mm:

DH 020 MKM - 730 U - 12

Technical Data



135-2



The braking torques shown in the diagram are based on a theoretical friction coefficient of 0,4.

Weight: 5,1 kg

Accessories

The Brake Caliper can be delivered fully assembled with RCS® Pull Cable and Hand Brake Lever. Please indicate the required cable length.

For further information regarding RCS® Pull Cable and Hand Brake Lever see page 167.

A spring loaded pressure pin compensates for wear of the friction block during the braking action.